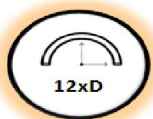
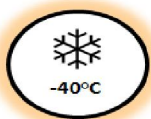
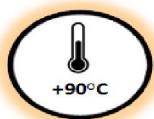
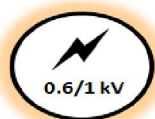


## AUE4\*OCR, ARE4\*OCR

**Cablu de energie tetrapolare cu cond de faza din aluminiu, izolat in XLPE si conductor neutru concentric din cupru, in manta de PVC**

**XLPE-insulated aluminum tetrapolar power cable with concentric conductor and PVC sheath**



**Norma de fabricatie:** DC 4126 RO; SR HD 603 S1  
**Tensiune nominala  $U_0/U$ :** 0.6/1 kV (1.2)

### Domeniul de utilizare

Cablurile sunt utilizate pentru transportul energiei electrice la statii de putere.

**Temperatura cond central in functionarea de durata:** +90°C

**Temperatura cond concentric in functionarea de durata:** +85°C

**Temperatura cond central in scurtcircuit (max 1 sec.):** +250°C

**Temperatura cond concentric in scurtcircuit:** +160°C

**Temperatura minima in timpul pozarii:** -5°C

### Conductor de faza din aluminiu

Conductor unifilar (ru) ptr sect 10 mm<sup>2</sup> si multifilar (rm) ptr sect >10 mm<sup>2</sup>, conf. SR EN 60228

### Izolatie

Polietilena reticulata (XLPE), tip DIX 3

### Conductor neutru concentric din cupru

Conductor multifilar (rm), conf. SR HD 603 S1

### Manta de PVC tip DMV 13, culoare gri, RAL 7001

Aceste cabluri sunt cu intarziere la propagarea flacarii; incercare conf SR CEI 60332-1-2

### Marcaj pe manta

Ex ENEL ARE4\*OCR-0,6/1 kV 3x50+25C  
SC ELECTROPLAST SA luna, anul fabricatiei, lungime

### Raza minima de curbura la instalare

12 x diametrul cablului

### Forta maxima de tractiune la pozare

30 N/mm<sup>2</sup>

### Cod de culori

➤ 3 conductoare: albastru, maro, negru

**Standard:** DC 4126 RO ; SR HD 603 S1  
**Rated voltage  $U_0/U$ :** 0.6/1 kV (1.2)

### Applicability

Power supply to power stations

**Core conductor temperature in long-run operation:** +90°C

**Concentric conductor temperature in long-run operation:** +85°C

**Core conductor temperature during short-circuit (max 1sec):** +250°C

**Concentric conductor temperature during short-circuit:** +160°C

**Minimum temperature during installation:** -5°C

### Aluminium phase conductor

Solid conductor (ru) for section 10 mm<sup>2</sup> and concentrically stranded conductor (rm) for section > 10 mm<sup>2</sup> according SR EN 60228

### Insulation

Crosslinked polyethylene (XLPE), DIX 3 type

### Concentric copper screen

Multiwire (rm); SR HD 603 S1

### PVC sheath DMV 13 type, color grey, RAL 7001

Flame retardant cables; test according to SR CEI 60332-1-2

### Sheath marking

Ex ENEL ARE4\*OCR-0,6/1 kV 3x50+25C  
SC ELECTROPLAST SA, month, year, length

### Min. bending radius at installation

12 x cable diameter

### Max. tensile strain during installation

30 N/mm<sup>2</sup>

### Color coding

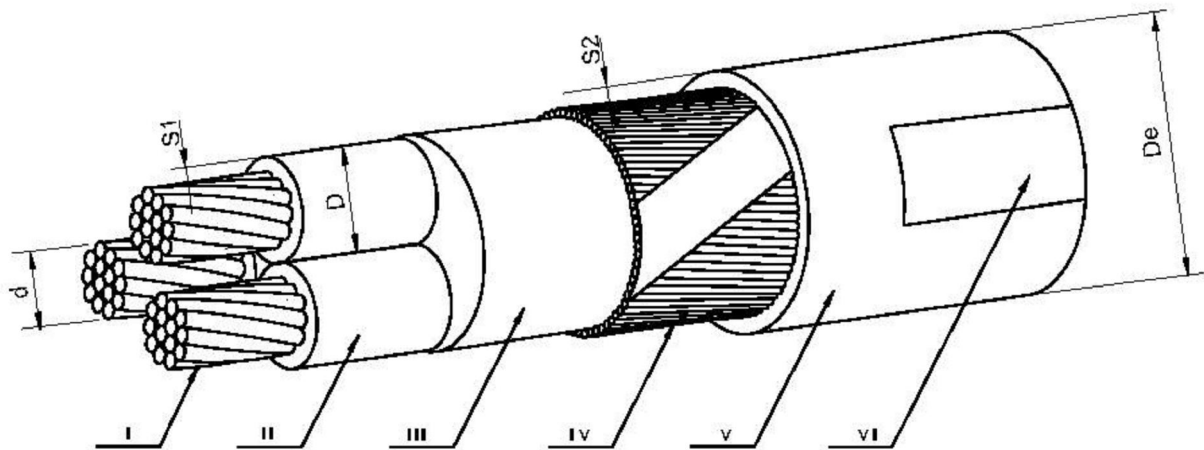
➤ 3 conductors : blue, brown, black

## AUE4\*OCR, ARE4\*OCR

**Cablu de energie tetrapolare cu cond de faza din aluminiu, izolat in XLPE si conductor neutru concentric din cupru, in manta de PVC**

**XLPE-insulated aluminum tetrapolar power cable with concentric conductor and PVC sheath**

Tip cablu <i>Cable type</i>	Simbol <i>Symbol</i>	No cond x sect <i>No. of cond. x cross-section</i>	Diam ext <i>De</i> Outer diam. ( $\approx$ )	Masa <i>Mass</i> ( $\approx$ )	Capacitatea de incarcare (A) <i>Installation capacity (A)</i>				Curent dinamic de scurt circuit <i>Dynamic current short circuit</i> kA	Curent admisibil in sc <i>Thermal short-circuit current</i>	
					aer <i>air</i>	aer in conducte <i>air conduit</i>	Pa- mant <i>buried</i>	Pamant in conducte <i>buried conduit</i>		faza <i>phase</i>	neutru <i>neutral</i>
					A	A	A	A		kA	kA
DC4126/14X	AUE4*OCR	3x10+6C	19	440	60	55	71	57	20	0.8	0.8
DC4126/15X	ARE4*OCR	3x25+16C	27	1000	110	95	122	97	25	2.2	2.0
DC4126/16X	ARE4*OCR	3x50+25C	32	1500	154	140	162	137	30	3.5	2.5



I – Conductor II – Izolație III – Înveliș intern IV – Conductor neutru concentric  
V – Manta VI – Marcaj